

DS-2CD63C2F-I(V)(S) 12MP Fisheye Network Camera



DS-2CD63C2F-I(V)(S) is designed to single-handedly capture images from every corner of a particular location and eliminate blind spots. It features a progressive scan CMOS sensor to provide high-resolution images of up to 4000×3072 , and a fisheye lens for a 360° panoramic or multiple de-warped views. Furthermore, IR functionality provides up to 15m IR distance of visibility under low or even zero-light conditions.

It is a great choice for detailed coverage of wide, open areas like airports, shopping malls, parking lots, retail stores, offices, restaurants, classrooms, and more.

Multiple Display Modes

The 12MP IR Fisheye Network Camera supports several viewing modes, including the 360° view, a horizontal panoramic view, PTZ quad view modes. Customers can also utilize this smooth PTZ function to easily pan, tilt and zoom, on any region of interest (ROI).

- 1/1.7" Progressive Scan CMOS
- 12 megapixel image sensor
- Up to 4000×3072 resolution
- Multiple viewing modes
- Line crossing and intrusion detection
- Ceiling, wall or table mount modes
- Up to 15m IR range
- 360° view angle
- Built-in microphone & speaker
- Audio/Alarm IO/ RS485(-S model)
- IP66(-V model)
- IK10 vandal proof(-V model)



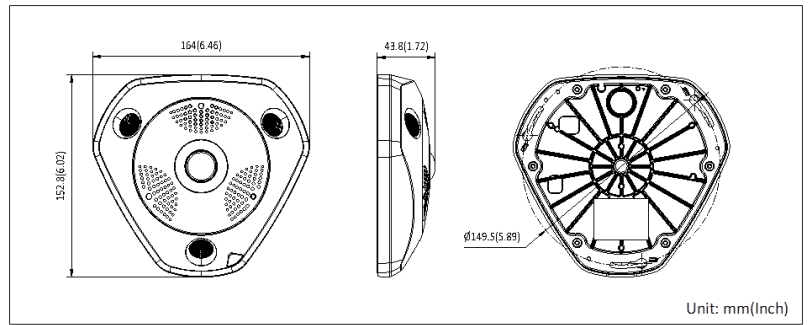
DS-2CD63C2F-I(V)(S) 12MP Fisheye Network Camera



Specification

| Camera | | |
|-----------------------------|---|---|
| Image Sensor | 1/1.7" Progressive Scan CMOS | |
| Min. Illumination | 0.01 Lux @ (F1.2, AGC ON), 0.04 Lux @ (F2.4, AGC ON), 0 Lux with IR | |
| Shutter Speed | 1/25(1/30)s ~ 1/100,000s | |
| Lens | 1.98mm @F2.4, angle of view: 360° | |
| Lens Mount | M12 | |
| Day & Night | ICR | |
| Compression Standard | | |
| Video Compression | H.264 /MJPEG | |
| H.264 Type | Baseline Profile / Main Profile / High Profile | |
| Video Bit Rate | 32 Kbps – 16 Mbps | |
| Audio Compression(-S) | G.711/G.726/MP2L2/ | |
| Audio Bit Rate | 64Kbps(G.711) / 16Kbps(G.726) /64Kbps(MP2L2) | |
| Image | | |
| Max. Resolution | 4000 × 3072 | |
| Live Mode | Mode1 | 1×Fisheye or 4×PTZ |
| | Mode2 | 1×Fisheye(main stream) + 1×Fisheye(sub stream) + 3×PTZ |
| | Mode3 | 1×Panorama(main stream) + 1×Panorama(sub stream) |
| Frame Rate | Mode1 | 50Hz: 1×fisheye (4000×3072, 20fps; 3072×3072,2560×2560 , 25fps) or 4×PTZ (1600×1200, 12fps) 60Hz: 1×fisheye (4000×3072, 20fps; 3072×3072,2560×2560 , 24fps) or 4×PTZ (1600×1200, 15fps) |
| | Mode2 | 50Hz: 1×Fisheye(2048×2048, 1280×1280, 12fps) + 1×Fisheye(720×720, 12fps) +3×PTZ(1600×1200, 12fps) 60Hz: 1×Fisheye(1280×1280, 15fps) + 1×Fisheye(720×720, 15fps) +3×PTZ(1600×1200, 15fps) |
| | Mode3 | 50Hz:1×Panorama(3072×2304, 3072×1152, 12fps) + 1×Panorama(704×576, 12fps) 60Hz:1×Panorama(3072×2304, 3072×1152, 15fps) + 1×Panorama(704×576, 15fps) |
| Digital Noise Reduction | 3D DNR | |
| Image Setting | Saturation, Brightness, Contrast, Hue, Sharpness, AGC, White Balance | |
| Wide Dynamic Range | Digital WDR | |
| Day/Night Switch | Auto/Schedule/Alarm Trigger | |
| ROI | Up to 4 fixed areas in each stream | |
| Network | | |
| Network Storage | NAS (Support NFS,SMB/CIFS) | |
| Alarm Trigger | Line crossing detection, Intrusion detection, Motion detection, Dynamic analysis, Tampering alarm, Network disconnect, IP address conflict, Storage exception | |
| Protocols | TCP/IP, UDP, ICMP, HTTP, HTTPS, FTP, DHCP, DNS, DDNS, RTP, RTSP, RTCP, PPPoE, NTP, UPnP, SMTP, SNMP, IGMP, 802.1X, QoS, IPv6, Bonjour | |
| Security | User Authentication, Watermark, IP address filtering, Anonymous access | |
| Standard | ONVIF(PROFILE S,PROFILE G),PSIA,CGI,ISAPI | |
| Interface | | |

Dimensions



| | |
|--------------------------|--|
| Communication Interface | 1 RJ45 10M/100M/1000M Ethernet interface; 1 RS485 interface(-S) |
| Audio Input | 1 3.5mm audio interface, Mic in/Line in (-S); 1 built-in microphone by default, 24db |
| Audio Output | 1 3.5mm audio output interface (-S); 1 built-in speaker by default, support echo cancellation |
| Alarm Input(-S) | 1 |
| Alarm Output(-S) | 1 |
| On-board storage | Built-in Micro SD/SDHC/SDXC slot, up to 128 GB |
| General | |
| Operating Conditions | Indoor: -10 °C – 50 °C (14 °F – 122 °F) -V: -30 °C – 60 °C (-22 °F – 140 °F) Humidity 95% or less (non-condensing) |
| Power Supply | 12 VDC ± 10% / PoE (802.3af) |
| Power Consumption | Max. 12W |
| IR Range | 15 meters |
| Impact Protection | -V: IEC60068-2-75Eh, 20J; EN50102, up to IK10 |
| Ingress Protection level | -V: IP66 |
| Dimensions | 164x152.8x43.8mm(6.46"x6.02"x1.72") |
| Weight | 1400g |
| Order Models | DS-2CD63C2F-I, DS-2CD63C2F-IV, DS-2CD63C2F-IS, DS-2CD63C2F-IVS |

Accessories



DS-1280ZJ-DM25
Junction box



DS-1281ZJ-DM25
Inclined ceiling mount



DS-1273ZJ-DM25
Wall mount



DS-1271ZJ-DM25
Pendent mount



DS-1283ZJ
Three axis adjustment