

## EN-HSE Series

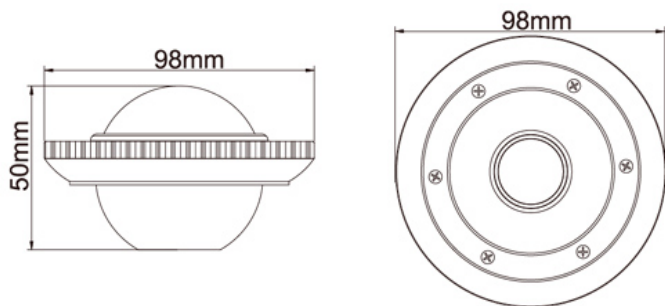


### Features

- ◆ UFO Type Camera
- ◆ SONY / SHARP Color CCD
- ◆ Easy For Installation
- ◆ Built-in 3.6 mm Board Lens



### Size Chart



### Specifications

| Model Name            | EN-HSE-38  | EN-HSE-36                                | EN-HSE-32                             | EN-HSE-82 |
|-----------------------|--|--|---------------------------------------|-----------|
| Image Device          | 1/3 SONY   | 1/3 SHARP                                | 1/3 SONY                              | 1/4 SHARP |
| Resolution            | 540 TVL  | 500 TVL                                  | 420 TVL                               | 420 TVL   |
| Picture Elements      | PAL:795(H)×596(V)<br>NTSC:811(H)×508(V)            | PAL:752(H)×582(V);<br>NTSC:768(H)×494(V) | PAL:500(H)×582(V); NTSC:510(H)×492(V) |           |
| Min. Illumination     | 0.2 Lux /F2.0                                      | 0.8 Lux /F2.0                            | 1.0 Lux /F2.0                         |           |
| TV System             | PAL/NTSC   |  |                                       |           |
| Lens Furnished        | 3.6 mm Board Lens (Optional 4mm or 6mm Board Lens) |  |                                       |           |
| S/N Ratio             | More than 48dB                                     |  |                                       |           |
| Electronic Shutter    | NTSC:1/60~1/100,000, PAL:1/50~1/110,000            |  |                                       |           |
| Gamma                 | 0.45   |  |                                       |           |
| White Balance         | Auto   |  |                                       |           |
| Gain Control          | Auto   |  |                                       |           |
| Sync. System          | Internal   |  |                                       |           |
| Video Output          | 1 Vp-p / 75 Ohms                                   |  |                                       |           |
| Power Supply          | DC12V±10%  |  |                                       |           |
| Operation Temperature | -10°C ~ +50°C RH95% Max                            |  |                                       |           |
| Dimension             | ∅ 98 x 50 mm                                       |  |                                       |           |
| Weight                | 450g   |  |                                       |           |

*Design and specifications are subject to change without notice.*