



Product Highlights

- **Fisheye Lens for Full Area Surveillance**
Get 360° of surveillance coverage with a wide-angle fisheye lens that lets you monitor a large area with a single camera
- **HD Image Quality and Detail**
High-resolution 2 megapixel sensor provides a 1600 x 1200 resolution image to monitor a large area with excellent detail
- **mydlink™-enabled Cloud Access**
Easy remote viewing and management of your camera on your mobile device or through the mydlink™ website



DCS-6010L 360° Fisheye Cloud Camera

Key Features

Full HD Resolution and Encoding Camera

- 1/3.2" 2 megapixel CMOS progressive sensor
- Fixed fisheye lens: 1.25 mm F2.0
- Built-in microphone and speaker for 2-way communication
- ONVIF compliant

Connections

- 802.11n wireless connectivity
- 10/100 Fast Ethernet port
- Micro SD/SDHC Card slot for onboard storage

Image & Video

- High resolution (1600 x 1200)
- Fisheye distortion correction
- H.264, MPEG-4 and Motion JPEG compression
- ePTZ viewing
- Simultaneous multi-stream support
- Supports multiple access lists
- Built-in Samba client for saving to a NAS

The DCS-6010L 360° Fisheye Cloud Camera is a Cloud-enabled IP Surveillance camera built with a fisheye lens and a 2 megapixel sensor, making it ideal for monitoring large areas with a single camera.

360 Degree Surveillance

The DCS-6010L uses a fisheye lens to provide incredible wide angle coverage; simply place it on a wall for a panoramic 180° view of a room, or place it on a ceiling for a full 360° view without blind spots. Distortion correction fixes the camera video so you can use ePTZ to zoom in, zoom out, and pan across your camera's video and survey a large area easily.

Anywhere Access with mydlink™

The 360° Fisheye Cloud Camera is Cloud -enabled, which means that you can access and configure your camera remotely, no matter where you are. See your camera's live view through the mydlink™ website, or download the mydlink™ mobile app and view your camera directly on your iOS or Android mobile device. Keep an eye on your home while you're at work, or check on the office when you're out on the road; Cloud makes it all possible.

Zero Configuration

If you have a mydlink™-enabled Cloud Router, setting up and configuring your DCS-6010L is a snap, thanks to mydlink™ Zero Configuration. Simply connect your camera to its power adapter and then connect your camera to your Cloud Router with an Ethernet cable - the camera will automatically be added to your account. mydlink™ does the hard work for you, allowing users to set up and use their Cloud-enabled cameras immediately.

A Complete, Expandable Surveillance Solution

The DCS-6010L is a self-sufficient surveillance solution, capable of recording snapshots and video to a MicroSD card without requiring a PC or network storage device.

If you want to expand your surveillance options, D-ViewCam™ management software is also included, giving you the ability to manage up to 32 cameras with a robust set of features, including multi-camera views and automated e-mail alerts to keep you informed of suspicious or unusual activities.

Built for Versatility

The DCS-6010L comes with a wealth of features that enhance its surveillance capabilities, making it ideal for any situation. A built-in microphone and speaker allow for 2-way communication or broadcasting of an alarm siren during an event. It even includes 802.11n wireless connectivity, allowing it to be placed anywhere easily without requiring cabling to be installed.



If the worst should happen to your network you need the very best support and fast. Downtime costs your business money. D-Link Assist maximises your uptime by solving technical problems quickly and effectively. Our highly trained technicians are on standby around the clock, ensuring that award-winning support is only a phone call away.

With a choice of three affordable service offerings covering all D-Link business products, you can select the package that suits you best:

D-Link Assist Gold - for comprehensive 24-hour support

D-Link Assist Gold is perfect for mission-critical environments where maximum uptime is a high priority. It guarantees four hour around-the-clock response. Cover applies 24/7 for every day of the year including holidays.

D-Link Assist Silver - for prompt same-day assistance

D-Link Assist Silver is designed for 'high availability' businesses that require rapid response within regular working hours. It provides a four hour response service Monday to Friday from 8am to 5pm, excluding holidays.

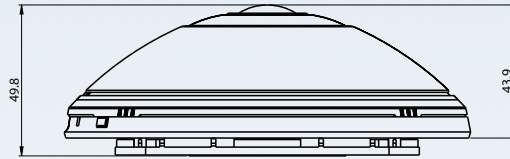
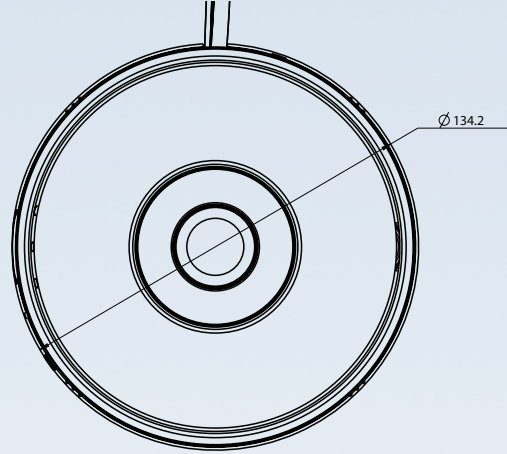
D-Link Assist Bronze - for guaranteed response on the next business day

D-Link Assist Bronze is a highly cost-effective support solution for less critical environments. Response is guaranteed within eight business hours Monday to Friday from 8am to 5pm, excluding holidays.

D-Link Assist can be purchased together with any D-Link business product. So whether you're buying switching, wireless, storage, security or IP Surveillance equipment from D-Link, your peace of mind is guaranteed. D-Link Assist also offers installation and configuration services to get your new hardware working quickly and correctly.

Camera		
Camera Hardware Profile	<ul style="list-style-type: none"> • 1/3.2" 2 megapixel progressive CMOS sensor • Minimum illumination: 2 lux • Built-in microphone and speaker • 10x digital zoom • Focal length: 1.25 mm • Aperture: F2.0 	Angle of view: <ul style="list-style-type: none"> • (H) 180° • (V) 180° • (D) 180°
Image Features	<ul style="list-style-type: none"> • Configurable image size, quality, frame rate, and bit rate • Fisheye distortion correction • Time stamp and text overlays 	<ul style="list-style-type: none"> • Configurable brightness, saturation, contrast, and sharpness • Configurable motion detection windows
Video Compression	<ul style="list-style-type: none"> • Simultaneous H.264/MPEG-4/MJPEG format compression • H.264/MPEG-4 multicast streaming 	<ul style="list-style-type: none"> • JPEG for still images
Video Resolution	<ul style="list-style-type: none"> • 1600 x 1200, 1200 x 900, 800 x 600, 400 x 300 up to 15 fps recording¹ 	
Audio Support	<ul style="list-style-type: none"> • G.726 	<ul style="list-style-type: none"> • G.711
External Device Interface	<ul style="list-style-type: none"> • 10/100 BASE-TX Fast Ethernet port • 802.11n wireless 	MicroSD/SDHC card slot
Network		
Network Protocols	<ul style="list-style-type: none"> • IPv6 • IPv4 • TCP/IP • UDP • ICMP • DHCP client • NTP client (D-Link) • DNS client • DDNS client (D-Link) • SMTP client • FTP client 	<ul style="list-style-type: none"> • HTTP / HTTPS • Samba client • PPPoE • UPnP port forwarding • RTP / RTSP / RTCP • IP filtering • QoS • CoS • Multicast • IGMP • ONVIF compliant
Security	<ul style="list-style-type: none"> • Administrator and user group protection Password authentication 	<ul style="list-style-type: none"> • HTTP and RTSP digest encryption
System Management		
System Requirements for Web	<ul style="list-style-type: none"> • Browser: Internet Explorer, Firefox, Chrome, Safari 	
Event Management	<ul style="list-style-type: none"> • Motion detection • Event notification and uploading of snapshots/video clips via e-mail or FTP 	<ul style="list-style-type: none"> • Supports multiple SMTP and FTP servers • Multiple event notifications • Multiple recording methods for easy backup
Remote Management	<ul style="list-style-type: none"> • Take snapshots/video clips and save to local hard drive or NAS via web browser 	<ul style="list-style-type: none"> • Configuration interface accessible via web browser
Mobile Support	<ul style="list-style-type: none"> • Windows 7/Vista/XP system, Pocket PC, or mobile phone 	<ul style="list-style-type: none"> • mydlink™ mobile app for iOS and Android mobile devices
D-ViewCam™ System Requirements	<ul style="list-style-type: none"> • Operating System: Microsoft Windows 7/Vista/XP • Web Browser: Internet Explorer 7 or higher 	<ul style="list-style-type: none"> • Protocol: Standard TCP/IP
D-ViewCam™ Software Functions	<ul style="list-style-type: none"> • Remote management / Control of up to 32 cameras • Viewing of up to 32 cameras on one screen 	<ul style="list-style-type: none"> • Supports all management functions provided in web interface • Scheduled motion triggered, or manual recording options
Physical		
Weight	<ul style="list-style-type: none"> • 1920 g (with bracket and sun shield) 	
External Power Adapter	<ul style="list-style-type: none"> • Input: 100 to 240 V AC, 50/60 Hz 	<ul style="list-style-type: none"> • Output: 5VDC, 1.2 A
Power Consumption	<ul style="list-style-type: none"> • 3.9 watts max. 	
Temperature	<ul style="list-style-type: none"> • Operating: 0 to 40 °C (32 to 104 °F) 	<ul style="list-style-type: none"> • Storage: -20 to 70 °C (-4 to 158 °F)
Humidity	<ul style="list-style-type: none"> • Operating: 20% to 80% non-condensing 	<ul style="list-style-type: none"> • Storage: 5% to 95% non-condensing
Certifications	<ul style="list-style-type: none"> • CE • CE LVD 	<ul style="list-style-type: none"> • FCC • C-Tick

Dimensions



For more information: www.dlink.com

D-Link European Headquarters. D-Link (Europe) Ltd., D-Link House, Abbey Road, Park Royal, London, NW10 7BX.
Specifications are subject to change without notice. D-Link is a registered trademark of D-Link Corporation and its overseas subsidiaries.
All other trademarks belong to their respective owners. ©2012 D-Link Corporation. All rights reserved. E&OE.

Updated 20/03/2013